



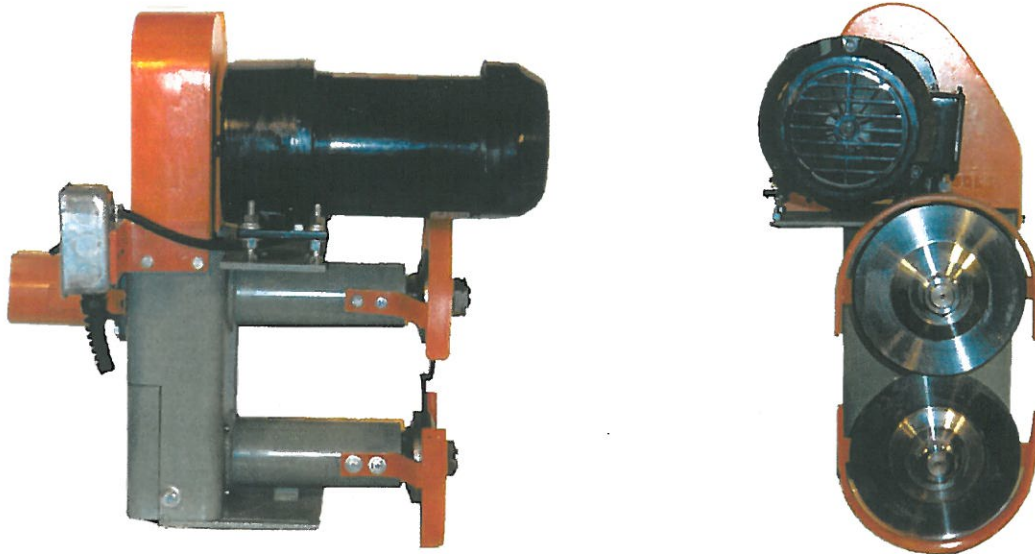
Textile & Industrial Sales Inc.

P.O. Box 768 404 Whitener Drive

Telephone 706-226-2102 FAX 706-278-1734

Dalton GA 30721 U.S.A.

Website <http://www.trimsew.com> E-mail: tisi@alltel.net



MODEL 310 EDGE TRIMMERS

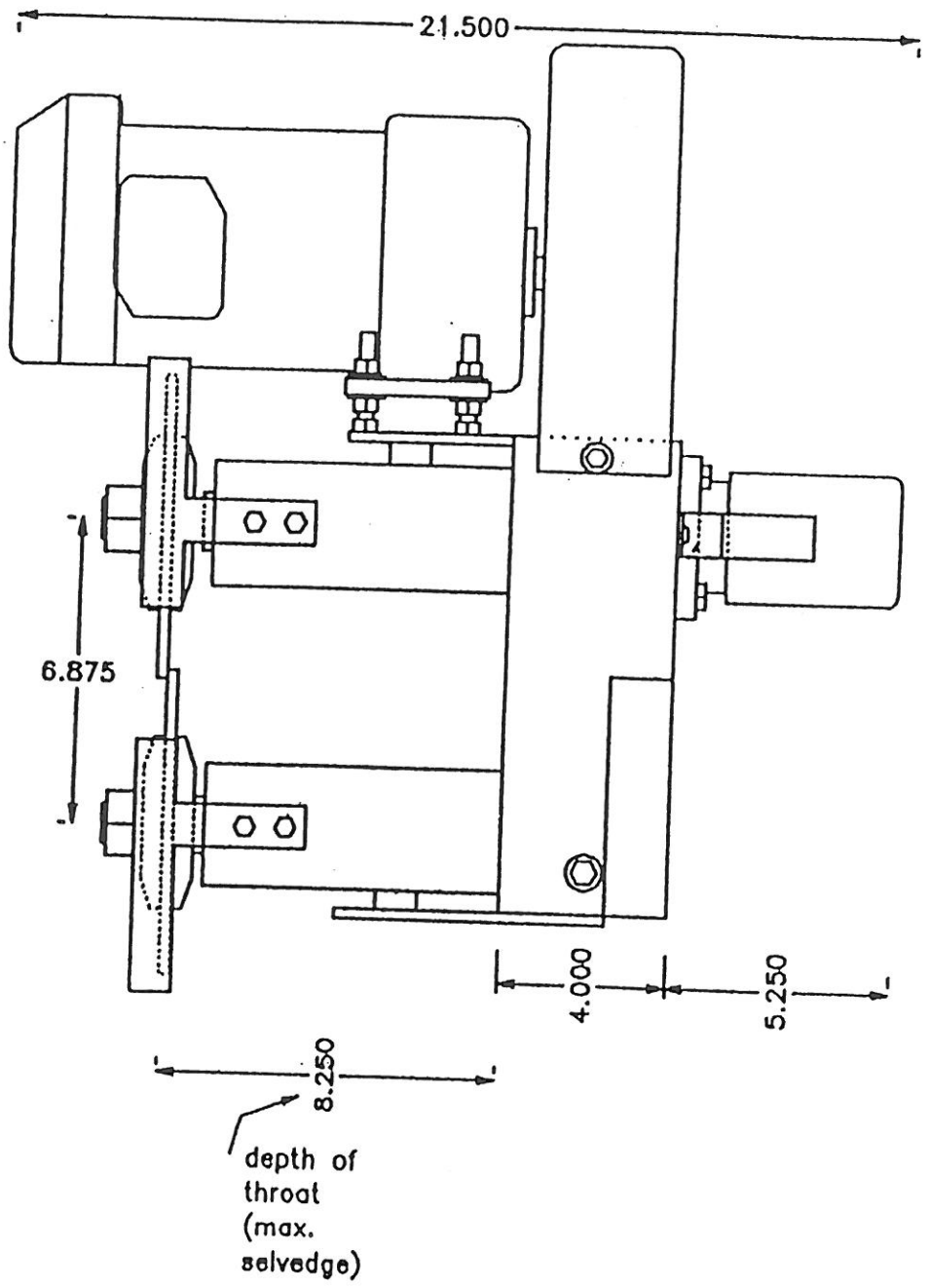
The model 310 trimmers are designed for edge trimming medium to heavyweight materials. Both 7 1/16" diameter blades are positively driven for cutting carpets, fabrics and nonwovens. Mounting can be in any position necessary for material flow.

The motor is a 1/2 horse power gearmotor. Standard voltage is 115 volt 60 hz. Other voltages and three phase are available. Different RPM output speeds are used to match the blade's circumference speed to the application's fastest line speed.

The 310 trimmers are based upon a twin blade scissors action principle of cutting. The trimmers use two thoroughly hardened blades which give superior cutting characteristics. The blades can be sharpened 10-15 times or until too thin for use.

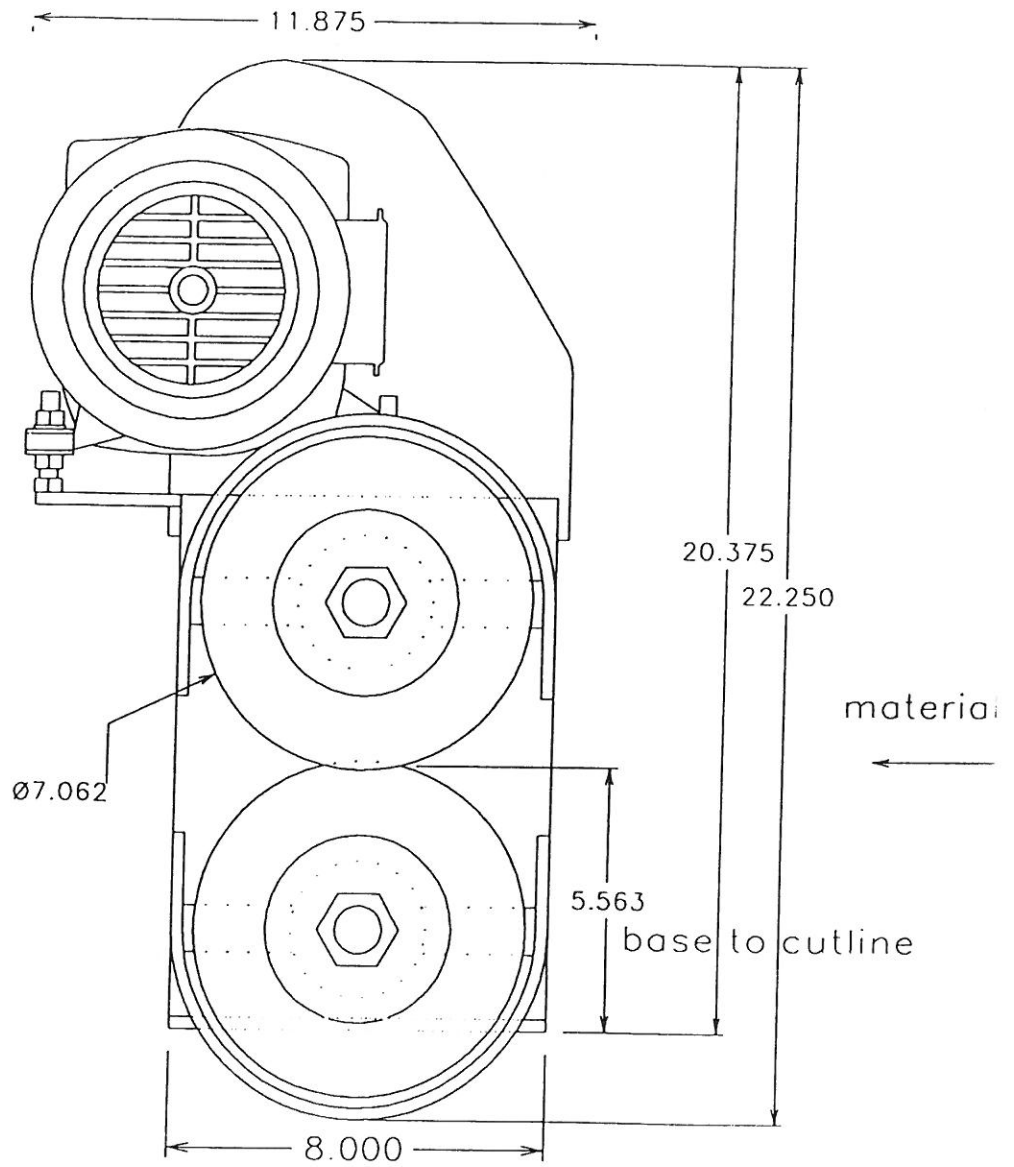
For edge trimming, the 310 trimmers are in pairs, with a left hand and a right hand unit. Mounting is achieved by two 3/8" wide slots in the base. The depth of the trimmer throat is 8 1/4". Selvages of up to 8 1/4" wide may be trimmed. A single 310 trimmer weighs 110 lbs. or 220 lbs. for a pair. The model 310 trimmers are manufactured to close tolerances and specs., which will provide reliable trimming.

310 Trimmer
LH unit
view:
material
entrance
end



310 Trimmer

front blade view
left hand unit



310 Trimmer
Left Hand unit
bottom view

