

303 SLITTER

The model 303 slitter is designed for slitting medium weight carpets and textiles. The model 303 slitter is driven by a 1/2 horsepower motor and right angle Winsmith speed reducer. Different RPM output speeds are used to match the blades circumference speed to the customer's fastest line speed. The right angle Winsmith speed reducer allows goods to be slit as narrow as 10.5 inches.

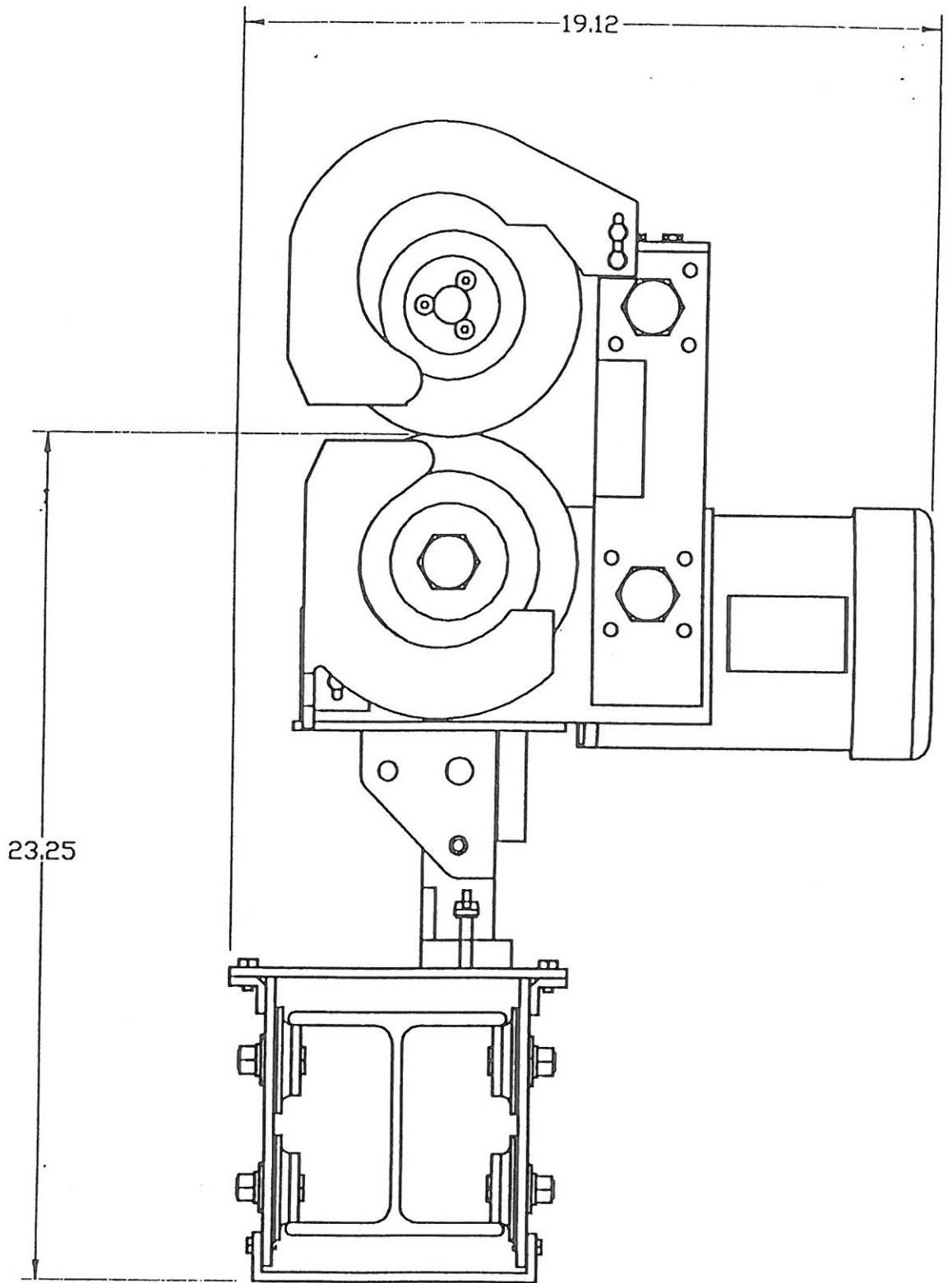
The cutting is achieved by two 7 1/16 inch blades. One blade is positive driven and the other blade is frictional driven. The blades the trimmers use are thoroughly hardened and can be sharpened several times or until too thin for use. The model 303 slitters are manufactured to close tolerances and specifications, which will produce reliable slitting.


For more information on the
303 Slitter contact:

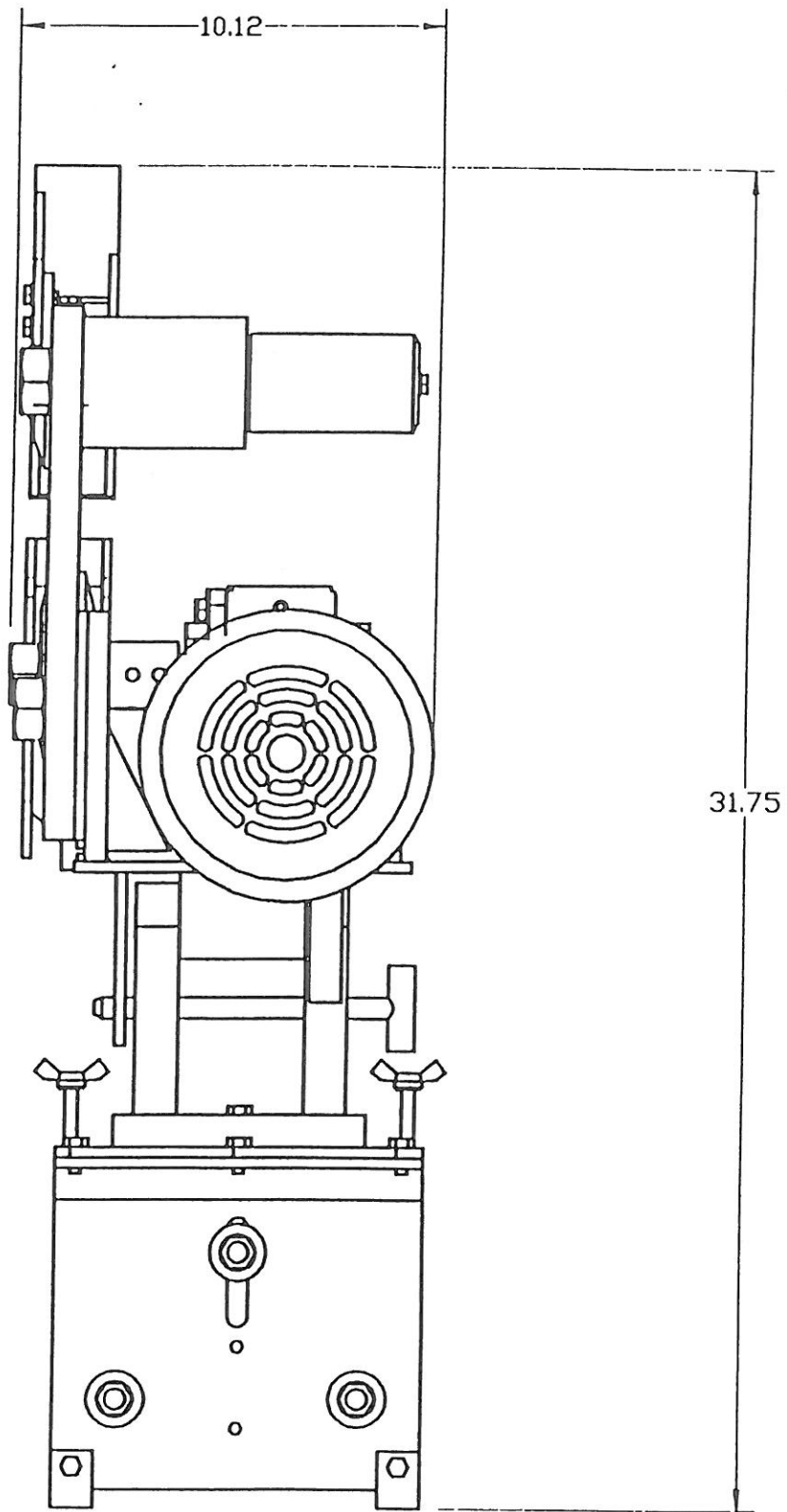
Textile & Industrial Sales, Inc


P.O. BOX 768
Dalton, GA USA 30722
Phone 706.226.2102
www.trimsew.com

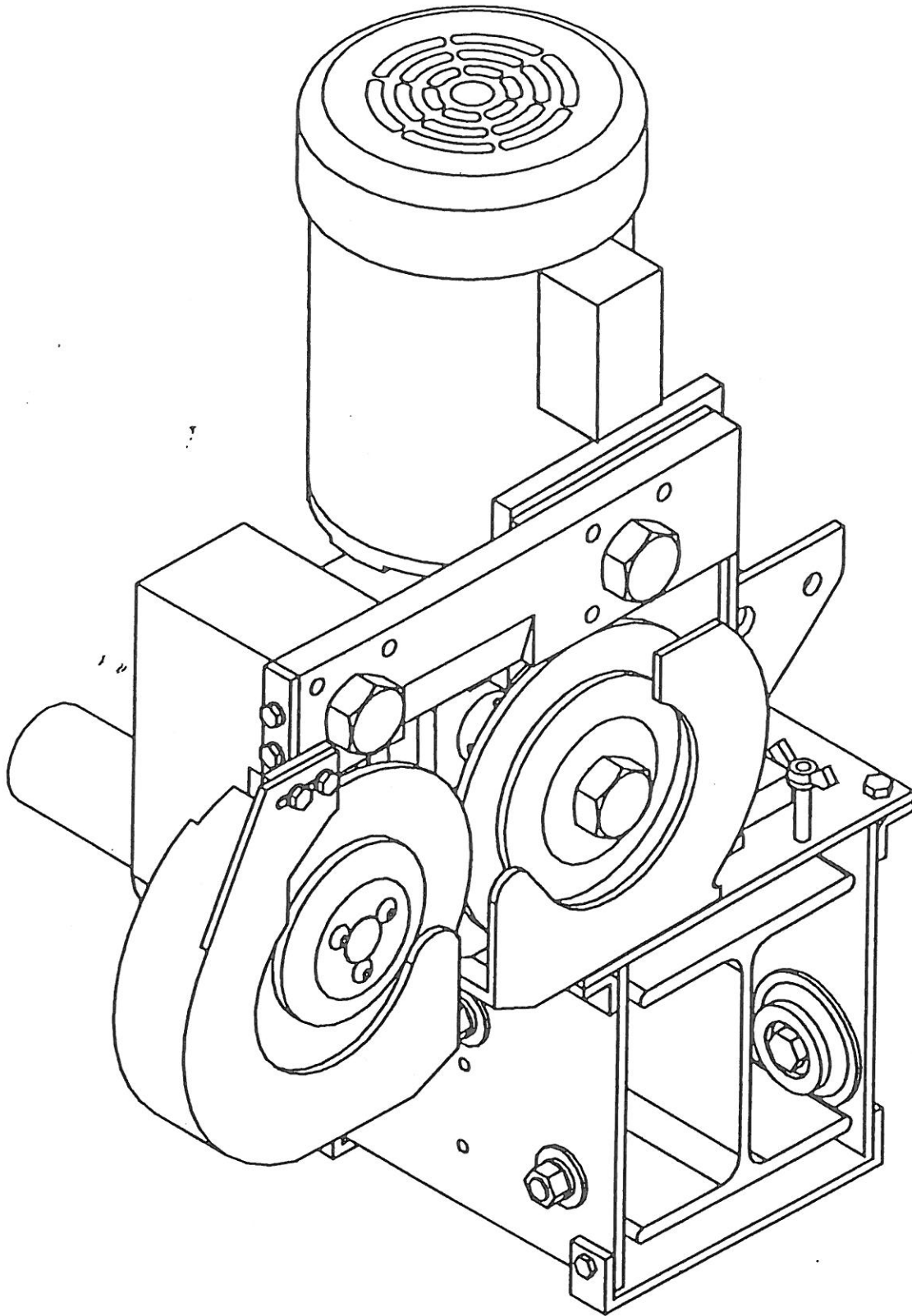
404 Whitener Drive
Dalton, GA USA 30721
Fax 706.278.1734
info@trimsew.com



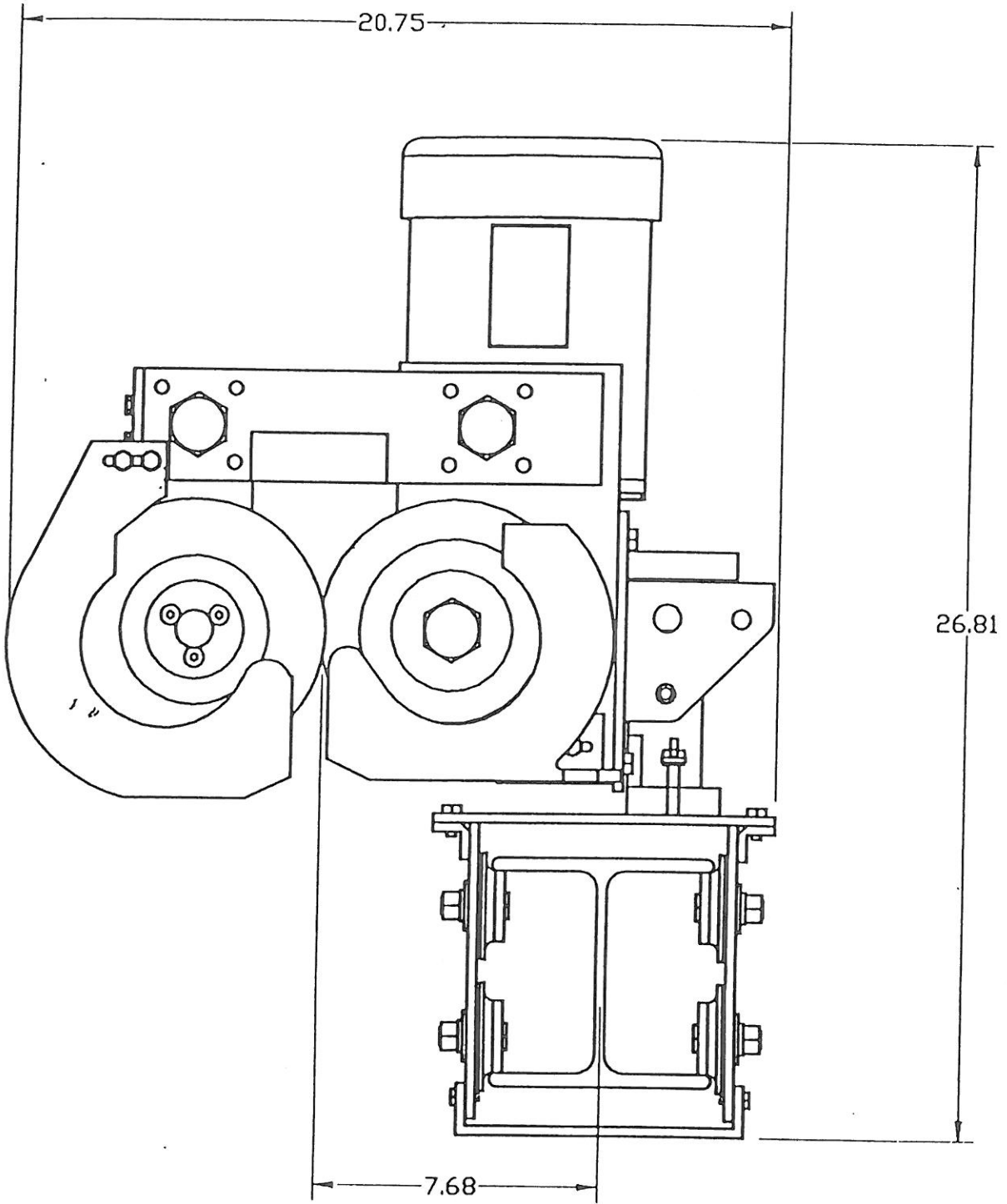
 Textile & Industrial Sales




 Textile & Industrial Sales



 Textile & Industrial Sales



 Textile & Industrial Sales